



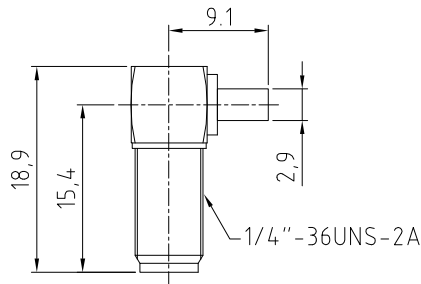
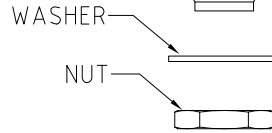
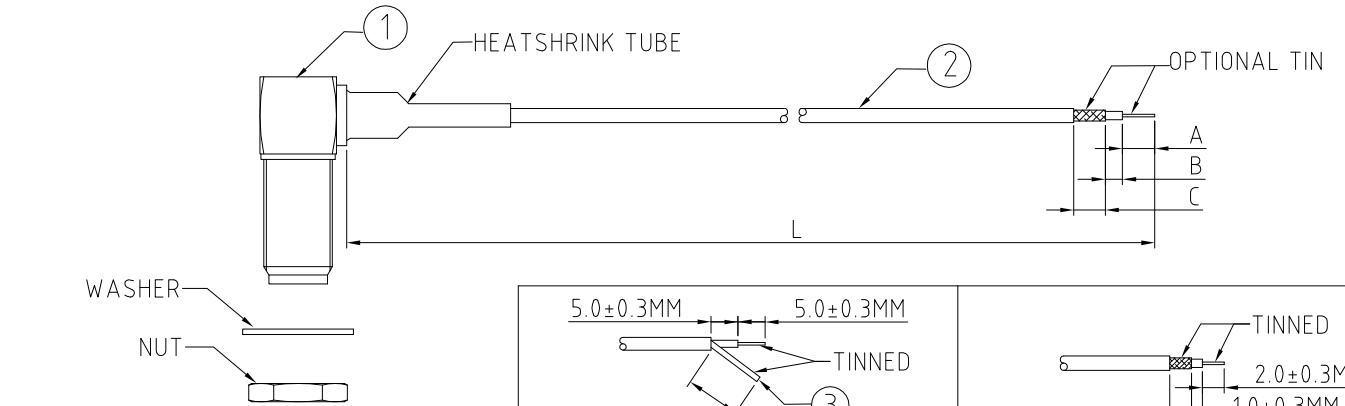
CAB107RF: RF CABLE ASSEMBLY, SMA RIGHT ANGLE BULKHEAD JACK + 1.32 CABLE + STRIP / TIN

SPECIFICATIONS :

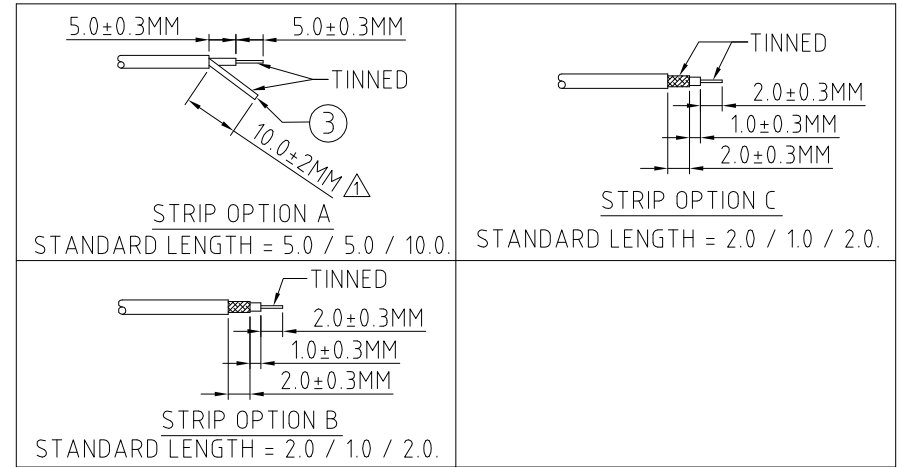
1. SMA R/A BULKHEAD (P/N: C02BS31132017), GOLD
2. 1.32MM SINGLE SHIELD COAXIAL CABLE, MIT, COLOR: GRAY
3. TWISTED BRAID OR FLEXIBLE COPPER WIRE, LENGTH = A (CENTRE CONDUCTOR) + B (INSULATOR). MINIMUM = 6.0MM. LENGTH 6.0MM - 9.9MM: TWISTED BRAID. LENGTH +10MM: FLEXIBLE COPPER WIRE.

NOTES:

1. STRIP DIMENSION A / B / C STANDS FOR
A = CENTRE CONDUCTOR
B = INSULATOR
C = BRAID.
2. INSERTION LOSS TEST REPORT IS NOT AVAILABLE.
3. THIS IS OUR STANDARD OFFERING, SPECIAL DESIGNS ARE AVAILABLE, INCLUDING CUSTOM TOLERANCES AND SPECIAL BRAID TINNING DESIGNS. PLEASE CONTACT GRADCONN FOR MORE INFORMATION.
4. CENTRE CONDUCTOR AND TWISTED BRAID OF COAX CABLE IS TINNED. WHEN BRAID LENGTH EXCEEDS 10MM LENGTH OF TINNED COPPER WIRE IS SOLDERED TO THE BRAID/SHIELD OF THE COAX CABLE WHICH ALLOWS SOLDERING TO PCB.



SMA JACK DETAIL DIMENSION



HOW TO ORDER

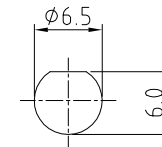
CAB107RF - X X X X - X.X / X.X / X.X - X - X

"L" LENGTH IN MM
eg: 100MM = 0100
(MIN. 025-MAX.400)
STANDARD = 100, 150, 200
Tolerance: <50mm : ±2mm.
51-200mm: ±5mm.
201-500mm: ±7mm.
>500mm: ±10mm.

A/B/C STRIP DIMENSION IN MM
FOR STANDARD LENGTH PLEASE
REFER TO DRAWINGS.
(SPECIALS AVAILABLE UPON
REQUEST.)

WASHER AND NUT OPTIONS:
BLANK = SEPERATELY PACKED (STANDARD)
A = ASSEMBLED WITH CONNECTOR

STRIP AND TIN OPTIONS:
A = CENTER CONDUCTOR & TWISTED BRAID/SOLDERED COPPER
WIRE TINNED (SEE NOTE 4 FOR SOLDER TO PCB APPLICATION)
B = STRIPPED, END A TINNED
C = STRIPPED, END A & C TINNED



RECOMMENDED SMA MOUNTING HOLE

REV. DATE & DRN
10 05/08/10 - NYW RELEASE
11 11/07/11 - NYW
Δ AMEND TOLERANCE
12 21/05/15 - NYW
REMOVE STRIP OPTION '0'.
AMEND STRIP OPTION 'A'.

Scale: NTS	THIRD ANGLE	Unstated X ±0.2 .XX ±0.1 .XXX ±0.05 ANGLES ±5	Material SEE NOTE
Drawn: NYW			
App'd: XXX	Title CABLE ASSEMBLY	NOT TO SCALE	
Date: 21 MAY '15	Revision: 1.2	Unit: mm	

© THIS DRAWING IS CONFIDENTIAL AND MUST NOT BE COPIED OR DISCLOSED WITHOUT WRITTEN CONSENT

Type: Cable 107 RF
CAB107RF
Drawing Number:
Sheet 1 of 1
Drawing © E and O E